

---

DESPIECE TECNICO / SPARE PARTS BOM

---

**Cocinas eléctricas**  
**Electric ranges**  
**Fourneaux électriques**  
**Elektro-herde**  
**Cucine elettriche**  
**Fogões elétricos**

**GAMA 900**

**Modelos / Models:**

**CE9-20**

**CE9-40**

**CE9-41**



**PLATON SERVICE**

8 (800) 500-34-41

[www.platonservice.com](http://www.platonservice.com)

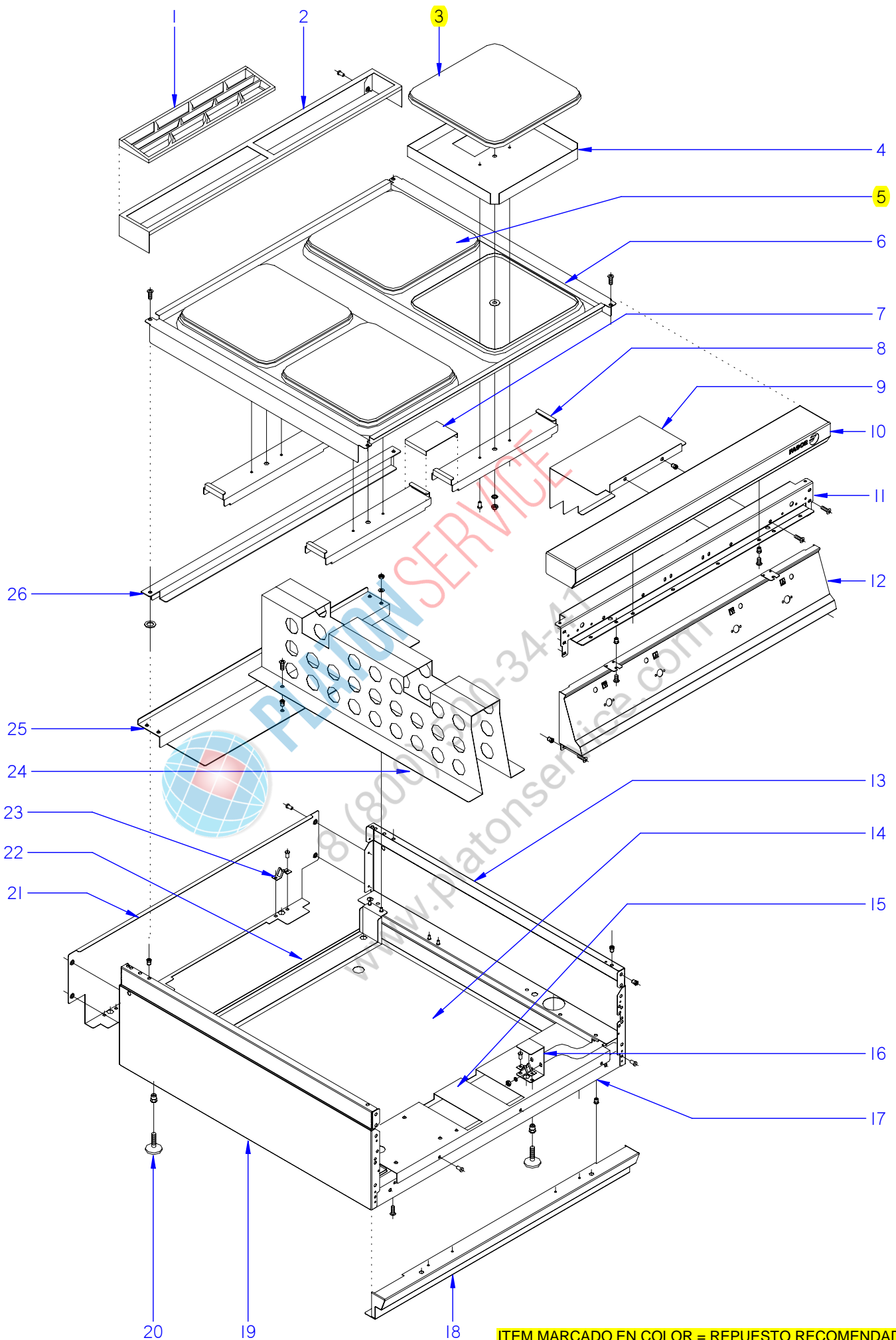
***Junio 2009 June***

***Revisado Octubre 2014 October Revised***

**FAGOR**

---

FAGOR INDUSTRIAL



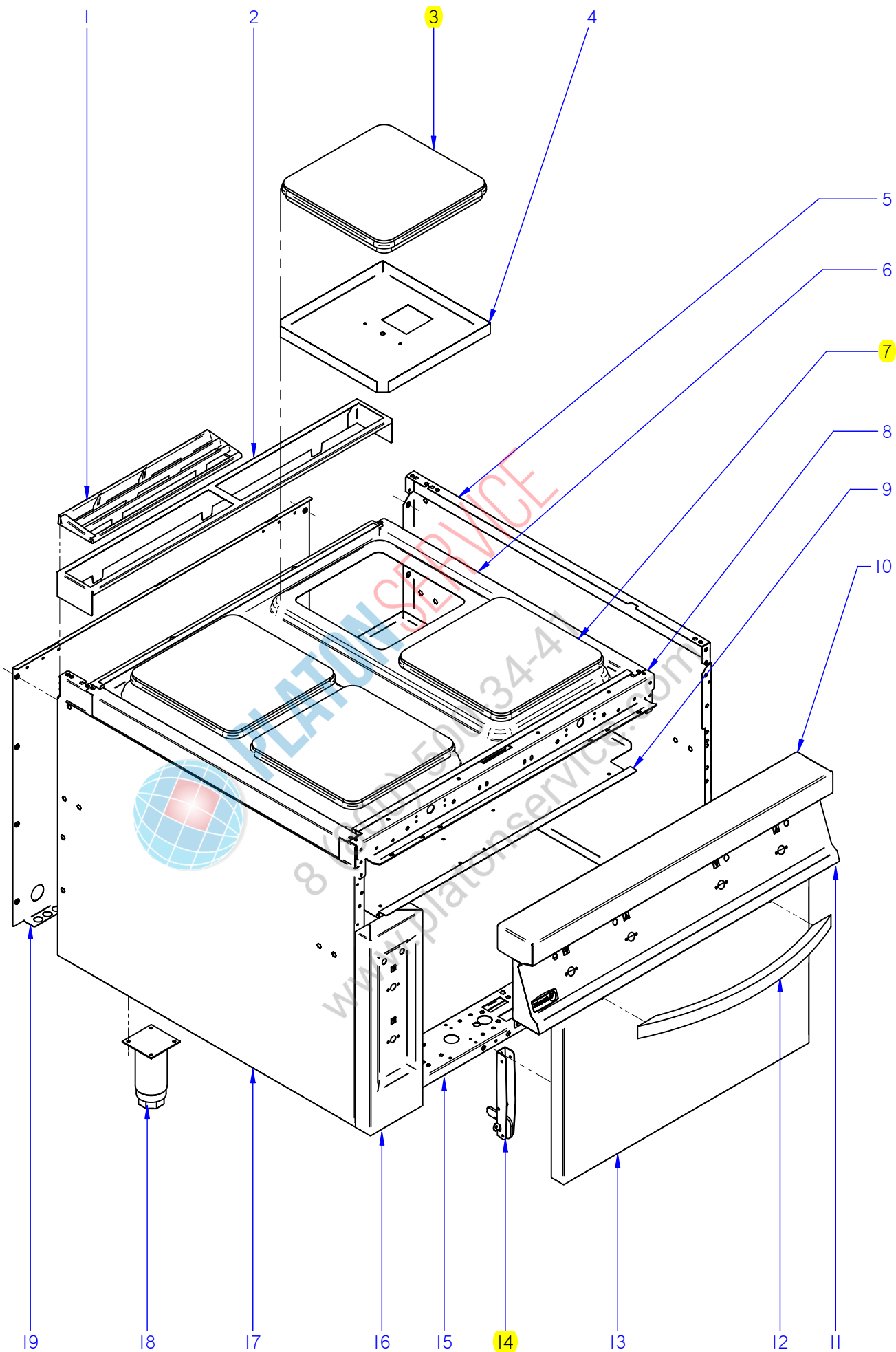
ITEM MARCADO EN COLOR = REPUESTO RECOMENDADO  
 COLOURED ITEM = RECOMMENDED SPARE PART

|         |                    |         |         |               |        |                                       |
|---------|--------------------|---------|---------|---------------|--------|---------------------------------------|
| N plano | Firma              | Fecha   | Aparato | MUEBLE        | Lamina | Fagor Industrial S.Coop. <b>FAGOR</b> |
| C-1757  | <i>(Signature)</i> | 2007-01 |         | COCINA CE9-40 | 1      | Oñate                                 |

| MOD. |            | COCINAS                       |                             | ZONA   | MUEBLE |  |  | PLANO | C-1757               |
|------|------------|-------------------------------|-----------------------------|--------|--------|--|--|-------|----------------------|
| ITEM | CODIGO     | DENOMINACION                  | TEXTO                       | CE9-20 | CE9-40 |  |  |       | NOTAS                |
| 1    | R205425000 | EMBELLECEDOR ESMALTE          | ENAMEL TRIM                 | 1      | 2      |  |  |       |                      |
| 2    | R205438000 | SOPORTE EMBELLECEDOR 1/2 M    | TRIM SUPPORT 1/2 M          | 1      |        |  |  |       |                      |
| 2    | R205439000 | SOPORTE EMBELLECEDOR 1 M      | TRIM SUPPORT 1 M            |        | 1      |  |  |       |                      |
|      | Q419005000 | REMACHE 4x8 ALMG3 / ALUMINIO  | RIVET 4X8 ALMG3 / ALUMINIUM | 2      | 2      |  |  |       |                      |
| 3    | 12024805   | PLACA 3000W 230V              | PLATE 3000W 230V            | 1      | 3      |  |  |       |                      |
| 3    | 12024803   | PLACA 3000W 400V SIN NEUTRO   | PLATE 3000W 400V S/N        | 1      | 3      |  |  |       |                      |
| 4    | U675404000 | CAZOLETA DE PLACAS            | PLATE CASING                | 2      | 4      |  |  |       |                      |
|      | Q162050000 | TUERCA EXAGONAL M8x1 INOX     | HEXAGONAL NUT M8X1 INOX     | 2      | 4      |  |  |       |                      |
|      | Q262050000 | ARANDELA GROW. A8 A304        | WASHER GROW. A8 A.304       | 2      | 4      |  |  |       |                      |
|      | Q232050000 | ARANDELA A8                   | WASHER A8                   | 2      | 4      |  |  |       |                      |
| 5    | 12024806   | PLACA 4000W 230V              | PLATE 4000W 230V            | 1      | 1      |  |  |       |                      |
| 5    | 12024802   | PLACA 4000W 400V SIN NEUTRO   | PLATE 4000W 400V S/N        | 1      | 1      |  |  |       |                      |
| 6    | U655450000 | MESA DE 1/2 M                 | BENCH 1/2 M                 | 1      |        |  |  |       |                      |
| 6    | U675450000 | MESA DE 1M                    | BENCH 1 M                   |        | 1      |  |  |       | ELIMINADO 01.11.11   |
| 6    | 12041219   | MESA 1M MEK                   | BENCH 1 MMEK                |        | 1      |  |  |       | INTRODUCIDO 01.11.11 |
|      | Q152004000 | TORNIL, APLASTADO M5x13 A304  | FLAT HEADED BOLT M5x13 A304 | 4      | 4      |  |  |       |                      |
| 7    | U675455000 | APOYO PUENTE AMARRE PLACAS    | PLATE FASTENING BRIDGE SUP  |        | 2      |  |  |       |                      |
| 8    | U655404000 | PUENTE AMARRE PLACAS          | PLATE FASTENING BRIDGE      | 2      | 4      |  |  |       |                      |
| 9    | U802602000 | CHAPA PROTEC.CONMUTADORAS     | SWITCH PROTECTION PLATE     | 1      | 2      |  |  |       |                      |
|      | Q152004000 | TORNIL, APLASTADO M5x13 A304  | FLAT HEADED BOLT M5x13 A304 | 4      | 4      |  |  |       |                      |
|      | Q221341000 | REMACHE EXAGONAL M 4          | HEXAGONAL RIVET M4          | 1      | 1      |  |  |       |                      |
| 10   | R045416000 | ANTERIOR DE MESA 1/2 M        | BENCH FRONT 1/2 M           | 1      |        |  |  |       |                      |
| 10   | S105402000 | ANTERIOR MESA 1 M             | BENCH FRONT 1 M             |        | 1      |  |  |       |                      |
|      | Q152004000 | TORNIL, APLASTADO M5x13 A304  | FLAT HEADED BOLT M5x13 A304 | 2      | 2      |  |  |       |                      |
|      | Q302022000 | ARANDELA 16x6x1,2 A304        | WASHER 16x6x1,2 A304        | 2      | 2      |  |  |       |                      |
| 11   | X162680000 | ESCUADRA INTE. ANT. MESA 1/2M | BENCH FR. INT. BRACKET 1/2M | 1      |        |  |  |       | ELIMINADO 01.09.09   |
| 11   | X162690000 | ESCUADRA INTE. ANT. MESA 1/2M | BENCH FR. INT. BRACKET 1/2M | 1      |        |  |  |       | INTRODUCIDO 01.09.09 |
| 11   | U022605000 | ESCUADRA INTER. ANT. MESA 1M  | BENCH FR. INT. BRACKET 1M   |        | 1      |  |  |       | ELIMINADO 01.09.09   |
| 11   | U022632000 | ESCUADRA INTER. ANT. MESA 1M  | BENCH FR. INT. BRACKET 1M   |        | 1      |  |  |       | INTRODUCIDO 01.09.09 |
|      |            |                               |                             |        |        |  |  |       |                      |
|      |            |                               |                             |        |        |  |  |       |                      |

| MOD. | COCINAS    |                              | ZONA                        | MUEBLE |        |  |  | PLANO | C-1757 |
|------|------------|------------------------------|-----------------------------|--------|--------|--|--|-------|--------|
| ITEM | CODIGO     | DENOMINACION                 | TEXTO                       | CE9-20 | CE9-40 |  |  |       | NOTAS  |
| 12   | U142814000 | PORTAMANDOS CE9-20           | CONTROL HOLDER CE9-20       | 1      | -      |  |  |       |        |
| 12   | U172807000 | PORTAMANDOS CE9-41           | CONTROL HOLDER CE9-41       | -      | 1      |  |  |       |        |
|      | U022836000 | ESCUDO FAGOR                 | FAGOR EMBLEM                | 1      | 1      |  |  |       |        |
|      | Q221023000 | CLIP SUJECIÓN RÁPIDA Ø5      | RAPID CONNECT CLIP Ø5       | 2      | 2      |  |  |       |        |
|      | Q152004000 | TORNIL, APLASTADO M5x13 A304 | FLAT HEADED BOLT M5x13 A304 | 2      | 2      |  |  |       |        |
| 13   | R062810000 | PANEL LATERAL DERECHO        | RIGHT SIDE PANEL            | 1      | 1      |  |  |       |        |
|      | Q221343000 | REMACHE EXAGONAL M6          | HEXAGONAL RIVET M6          | 5      | 5      |  |  |       |        |
|      | Q221342000 | REMACHE EXAGONAL M5          | HEXAGONAL RIVET M5          | 2      | 2      |  |  |       |        |
|      | Q221342000 | REMACHE EXAGONAL M5          | HEXAGONAL RIVET M5          | 3      | 3      |  |  |       |        |
| 14   | U652820000 | BASE INFERIOR CE9-20         | LOWER BASE CE9-20           | 1      | -      |  |  |       |        |
| 14   | U662850000 | BASE INFERIOR CE9-40         | LOWER BASE CE9-40           | -      | 1      |  |  |       |        |
|      | Q152004000 | TORNIL, APLASTADO M5x13 A304 | FLAT HEADED BOLT M5x13 A304 | 4      | 2      |  |  |       |        |
|      | Q302022000 | ARANDELA 16x6x1,2 A304       | WASHER 16x6x1,2 A304        | 4      | -      |  |  |       |        |
|      | Q419007000 | REMACHE TUBULAR C/V Ø3.2X6   | TUBULAR RIVET C/V Ø3.2X6    | -      | 8      |  |  |       |        |
| 15   | U672652000 | ESCUADRA SOPOR. REGLETA CE   | JPP. BRACKET TERMINAL STRIP | -      | 1      |  |  |       |        |
| 15   | U652650000 | ESCUADRA SOPOR. REGLETA CE   | JPP. BRACKET TERMINAL STRIP | 1      | -      |  |  |       |        |
|      | Q419005000 | REMACHE 4x8 ALMG3 / ALUMINIO | RIVET 4X8 ALMG3 / ALUMINIUM | 3      | 3      |  |  |       |        |
| 16   | H012805000 | ESCUADRA AMARRE PATA         | LEG FASTENING BRACKET       | 2      | 2      |  |  |       |        |
|      | Q162030000 | TUERCA EXAGONAL M5           | HEXAGONAL NUT M5            | 4      | 4      |  |  |       |        |
|      | Q302022000 | ARANDELA 16x6x1,2 A304       | WASHER 16x6x1,2 A304        | 4      | 4      |  |  |       |        |
| 17   | U652651000 | LISTON AMARRE ZOCALO 1/2M    | SKIRTING FASTENING STRIP    | 1      | -      |  |  |       |        |
| 17   | H022604000 | LISTON AMARRE ZOCALO         | SKIRTING FASTENING STRIP    | -      | 1      |  |  |       |        |
|      | Q419005000 | REMACHE 4x8 ALMG3 / ALUMINIO | TUBULAR RIVET C/V Ø3.2X6    | 4      | 4      |  |  |       |        |
|      | Q221342000 | REMACHE EXAGONAL M5          | HEXAGONAL RIVET M5          | 4      | 4      |  |  |       |        |
| 18   | R062805000 | ZOCALO COMPLETO 1/2M         | COMPLETE SKIRTING 1/2M      | 1      | -      |  |  |       |        |
| 18   | H352817000 | ZOCALO COMPLETO              | COMPLETE SKIRTING           | -      | 1      |  |  |       |        |
|      | Q151336000 | TORNILLO SOPORTE GUIAS       | TORNILLO SOPORTE GUIAS      | 2      | 2      |  |  |       |        |
|      | Q221343000 | REMACHE EXAGONAL M6          | HEXAGONAL RIVET M6          | 2      | 2      |  |  |       |        |
|      | Q152004000 | TORNIL, APLASTADO M5x13 A304 | FLAT HEADED BOLT M5x13      | 2      | 2      |  |  |       |        |
|      | Q302022000 | ARANDELA 16x6x1,2 A304       | WASHER 16x6x1,2 A304        | 2      | 2      |  |  |       |        |

| MOD. |            | COCINAS                      |                             | ZONA   |        | MUEBLE |  |  |  | PLANO |  | C-1757               |
|------|------------|------------------------------|-----------------------------|--------|--------|--------|--|--|--|-------|--|----------------------|
| ITEM | CODIGO     | DENOMINACION                 | TEXTO                       | CE9-20 | CE9-40 |        |  |  |  |       |  | NOTAS                |
| 19   | R062811000 | PANEL LATERAL IZQUIERDO      | LEFT SIDE PANEL             | 1      | 1      |        |  |  |  |       |  |                      |
|      | Q221343000 | REMACHE EXAGONAL M6          | HEXAGONAL RIVET M6          | 5      | 5      |        |  |  |  |       |  |                      |
|      | Q221342000 | REMACHE EXAGONAL M5          | HEXAGONAL RIVET M5          | 2      | 2      |        |  |  |  |       |  |                      |
|      | Q221342000 | REMACHE EXAGONAL M5          | HEXAGONAL RIVET M5          | 3      | 3      |        |  |  |  |       |  |                      |
| 20   | Z200107000 | PATA REGULABLE               | ADJUSTABLE LEG              | 4      | 4      |        |  |  |  |       |  |                      |
|      | Q221345000 | REMACHE EXAGONAL M10         | HEXAGONAL RIVET M10         | 4      | 4      |        |  |  |  |       |  |                      |
| 21   | R152811000 | PANEL POSTERIOR 1/2M         | REAR PANEL 1/2 M            | 1      | -      |        |  |  |  |       |  | ELIMINADO 01.09.09   |
| 21   | H012824000 | PANEL POSTERIOR 1/2M         | REAR PANEL 1/2 M            | 1      | -      |        |  |  |  |       |  | INTRODUCIDO 01.09.09 |
| 21   | R162813000 | PANEL POSTERIOR              | REAR PANEL 1 M              | -      | 1      |        |  |  |  |       |  | ELIMINADO 01.09.09   |
| 21   | H022809000 | PANEL POSTERIOR              | REAR PANEL 1 M              | -      | 1      |        |  |  |  |       |  | INTRODUCIDO 01.09.09 |
|      | Q419005000 | REMACHE 4x8 ALMG3 / ALUMINIO | RIVET 4X8 ALMG3 / ALUMINIUM | 4      | 4      |        |  |  |  |       |  |                      |
| 22   | H012606000 | REFUERZO POSTER. PATAS 1/2M  | REAR REINFORCEMENT LEGS     | 1      | -      |        |  |  |  |       |  |                      |
| 22   | H022606000 | REFUERZO POSTERIOR PATAS     | REAR REINFORCEMENT LEGS     | -      | 1      |        |  |  |  |       |  |                      |
|      | Q162030000 | TUERCA EXAGONAL M5           | HEXAGONAL NUT M5            | 4      | 4      |        |  |  |  |       |  |                      |
|      | Q302022000 | ARANDELA 16x6x1,2 A304       | WASHER 16x6x1,2 A304        | 4      | 4      |        |  |  |  |       |  |                      |
|      | Q221345000 | REMACHE EXAGONAL M10         | HEXAGONAL RIVET M10         | 4      | 4      |        |  |  |  |       |  |                      |
| 23   | X010503000 | CIERRE MUELLE                | LOCK SPRING                 | 3      | 4      |        |  |  |  |       |  |                      |
| 24   | U675451000 | SOPORTE MESA CE9-40/41       | BENCH SUPPORT CE9-40/41     | -      | 1      |        |  |  |  |       |  |                      |
|      | Q152004000 | TORNIL, APLASTADO M5x13 A304 | FLAT HEADED BOLT M5x13      | -      | 2      |        |  |  |  |       |  |                      |
| 25   | U662650000 | TRAVESAÑO SOP. MESA CE9-40   | CROSSBAR SUPP. BENCH CE9-4  | -      | 1      |        |  |  |  |       |  |                      |
|      | Q221342000 | REMACHE EXAGONAL M5          | HEXAGONAL RIVET M5          | -      | 2      |        |  |  |  |       |  |                      |
| 26   | U675456000 | REFUERZO POSTERIOR DE MESA   | BENCH REAR REINFORCEMENT    | -      | 1      |        |  |  |  |       |  |                      |
|      | Q301322000 | ARANDELA PLANA 27x17x2       | FLAT WASHER 27x17x2         | -      | 4      |        |  |  |  |       |  |                      |
|      |            |                              |                             |        |        |        |  |  |  |       |  |                      |
|      |            |                              |                             |        |        |        |  |  |  |       |  |                      |
|      |            |                              |                             |        |        |        |  |  |  |       |  |                      |
|      |            |                              |                             |        |        |        |  |  |  |       |  |                      |
|      |            |                              |                             |        |        |        |  |  |  |       |  |                      |
|      |            |                              |                             |        |        |        |  |  |  |       |  |                      |
|      |            |                              |                             |        |        |        |  |  |  |       |  |                      |



ITEM MARCADO EN COLOR = REPUESTO RECOMENDADO  
 COLOURED ITEM = RECOMMENDED SPARE PART

|         |                    |         |               |        |        |                                       |
|---------|--------------------|---------|---------------|--------|--------|---------------------------------------|
| N plano | Firma              | Fecha   | Aparato       | MUEBLE | Lamina | Fagor Industrial S.Coop. <b>FAGOR</b> |
| C-2356  | <i>(Signature)</i> | 2009-06 | COCINA CE9-41 |        | 2      | Oñate                                 |

| MOD. | COCINAS    |                               | ZONA                        | MUEBLE / UNIT |  |  |  | PLANO | C-2356               |
|------|------------|-------------------------------|-----------------------------|---------------|--|--|--|-------|----------------------|
| ITEM | CODIGO     | DENOMINACION                  | TEXTO                       | CE9-41        |  |  |  |       | NOTAS                |
| 1    | R205425000 | EMBELLECEDOR ESMALTE          | ENAMEL TRIM                 | 2             |  |  |  |       |                      |
| 2    | R205439000 | SOPORTE EMBELLECEDOR 1 M      | TRIM SUPPORT 1 M            | 1             |  |  |  |       |                      |
| 3    | 12024806   | PLACA 4000W 230V              | PLATE 4000W 230V            | 1             |  |  |  |       |                      |
| 3    | 12024802   | PLACA 4000W 400V SIN NEUTRO   | PLATE 4000W 400V S/N        | 1             |  |  |  |       |                      |
| 4    | U675404000 | CAZOLETA DE PLACAS            | PLATE CASING                | 4             |  |  |  |       |                      |
|      | Q162050000 | TUERCA EXAGONAL M8X1 INOX     | HEXAGONAL NUT M8X1 INOX     | 4             |  |  |  |       |                      |
|      | Q262050000 | ARANDELEA GROW. A8 A.304      | WASHER GROW. A8 A.304       | 4             |  |  |  |       |                      |
|      | Q232050000 | ARANDELA A8                   | WASHER A8                   | 4             |  |  |  |       |                      |
| 5    | U022842000 | PANEL LATERAL DERECHO G9-00   | RIGHT SIDE PANEL G9-00      | 1             |  |  |  |       |                      |
|      | Q221343000 | REMACHE EXAGONAL M6           | HEXAGONAL RIVET M6          | 11            |  |  |  |       |                      |
|      | Q221342000 | REMACHE EXAGONAL M5           | HEXAGONAL RIVET M5          | 11            |  |  |  |       |                      |
|      | Q152004000 | TORNILLO APLASTADO M5x13 A304 | FLAT HEADED BOLT M5x13      | 4             |  |  |  |       |                      |
| 6    | U675450000 | MESA DE 1M                    | BENCH 1 M                   | 1             |  |  |  |       | ELIMINADO 01.11.11   |
| 6    | 12041219   | MESA 1M MEK                   | BENCH 1 MMEK                | 1             |  |  |  |       | INTRODUCIDO 01.11.11 |
|      | Q012032000 | TORNILLO EXAGONAL M5x15       | HEXAGONAL BOLT M5x15        | 4             |  |  |  |       |                      |
| 7    | 12024805   | PLACA 3000W 230V              | PLATE 3000W 230V            | 3             |  |  |  |       |                      |
| 7    | 12024803   | PLACA 3000W 400V SIN NEUTRO   | PLATE 3000W 400V S/N        | 3             |  |  |  |       |                      |
| 8    | U022632000 | ESCUA INTER AMAR ANTE 1 M     | BRACKET INTER FASTE. FRONT  | 1             |  |  |  |       |                      |
|      | Q012032000 | TORNILLO EXAGONAL M5x15       | HEXAGONAL BOLT M5x15        | 4             |  |  |  |       |                      |
|      | Q152004000 | TORNIL, APLASTADO M5x13 A304  | FLAT HEADED BOLT M5x13 A304 | 6             |  |  |  |       |                      |
|      | Q302022000 | ARANDELA 16x6x1,2 A304        | WASHER 16x6x1.2 A304        | 6             |  |  |  |       |                      |
| 9    | U022613000 | BASE BANDEJAS 1 M             | TRAY BASE 1 M               | 1             |  |  |  |       |                      |
|      | Q419005000 | REMACHE 4x8 ALMG3 / ALUMINIO  | RIVET 4X8 ALMG3 / ALUMINIUM | 2             |  |  |  |       |                      |
| 10   | S105402000 | ANTERIOR MESA 1 M             | BENCH FRONT 1 M             | 1             |  |  |  |       |                      |
|      | Q152004000 | TORNIL, APLASTADO M5x13 A304  | FLAT HEADED BOLT M5x13 A304 | 2             |  |  |  |       |                      |
|      | Q302022000 | ARANDELA 16x6x1,2 A304        | WASHER 16x6x1.2 A304        | 2             |  |  |  |       |                      |
| 11   | U172810000 | PORTAMANDOS COMPL. CE9-41     | CONTROL HOLDER CE9-41       | 1             |  |  |  |       |                      |
|      | U022836000 | ESCUDO FAGOR                  | FAGOR EMBLEM                | 1             |  |  |  |       |                      |
|      | Q221023000 | CLIP SUJECIÓN RÁPIDA Ø5       | RAPID CONNECT CLIP Ø5       | 2             |  |  |  |       |                      |
|      | Q152004000 | TORNIL, APLASTADO M5x13 A304  | FLAT HEADED BOLT M5x13      | 4             |  |  |  |       |                      |
| 12   | U020504000 | ASA DE HORNO COMPLETA G900    | COMPL. OVEN HANDLE G900     | 1             |  |  |  |       |                      |



| MOD. | COCINAS    | ZONA                          | MUEBLE / UNIT               | PLANO  | C-2356               |
|------|------------|-------------------------------|-----------------------------|--------|----------------------|
| ITEM | CODIGO     | DENOMINACION                  | TEXTO                       | CE9-41 | NOTAS                |
|      | 12038310   | KIT PUERTA HORNO              | OVEN DOOR KIT               | 1      |                      |
| 13   | U910501000 | PUERTA DE HORNO               | OVEN DOOR                   | 1      |                      |
| 14   | U020528000 | BISAGRA CIERRE HORNO          | OVEN LOCK HINGE             | 2      |                      |
|      | Q152022000 | TORNILLO M6x8                 | BOLT M6x8                   | 6      |                      |
| 15   | U022625000 | LISTON SOPORTE PATAS 1 M      | LEG SUPPORT STRIP 1 M       | 2      |                      |
| 16   | U672855000 | PORTAMANDOS LATERAL HORNO     | OVEN SIDE CONTROL HOLDER    | 1      | ELIMINADO 14.10.11   |
| 16   | 12041036   | PORTAM. LATERAL HORNO ELECT.  | OVEN SIDE CONTROL HOLDER    | 1      | INTRODUCIDO 14.10.11 |
|      | Q152004000 | TORNIL, APLASTADO M5x13 A304  | FLAT HEADED BOLT M5x13 A304 | 2      |                      |
| 17   | X162813000 | PANEL LATERAL IZQUIERDO G900  | LEFT SIDE PANEL G900        | 1      |                      |
|      | Q221343000 | REMACHE EXAGONAL M6           | HEXAGONAL RIVET M6          | 11     |                      |
|      | Q221342000 | REMACHE EXAGONAL M5           | HEXAGONAL RIVET M5          | 11     |                      |
|      | Q152004000 | TORNILLO APLASTADO M5x13 A304 | FLAT HEADED BOLT M5x13      | 4      |                      |
| 18   | X260151000 | PATA REGULABLE                | ADJUSTABLE LEG              | 4      |                      |
|      | Q411304000 | REMACHE AVIBULB Ø 4,8         | AVIBULB RIVET Ø 4.8         | 16     |                      |
| 19   | U562853000 | PANEL POSTERIOR 1 M           | REAR PANEL 1 M              | 1      |                      |
|      | Q419005000 | REMACHE 4x8 ALMG3 / ALUMINIO  | RIVET 4X8 ALMG3 / ALUMINIUM | 8      |                      |
|      |            |                               |                             |        |                      |
|      |            |                               |                             |        |                      |
|      |            |                               |                             |        |                      |
|      |            |                               |                             |        |                      |
|      |            |                               |                             |        |                      |
|      |            |                               |                             |        |                      |
|      |            |                               |                             |        |                      |
|      |            |                               |                             |        |                      |
|      |            |                               |                             |        |                      |
|      |            |                               |                             |        |                      |
|      |            |                               |                             |        |                      |
|      |            |                               |                             |        |                      |
|      |            |                               |                             |        |                      |
|      |            |                               |                             |        |                      |
|      |            |                               |                             |        |                      |
|      |            |                               |                             |        |                      |
|      |            |                               |                             |        |                      |
|      |            |                               |                             |        |                      |
|      |            |                               |                             |        |                      |
|      |            |                               |                             |        |                      |



N plano  
C-2357

Firma  
*(Firma)*

Fecha  
2009-06

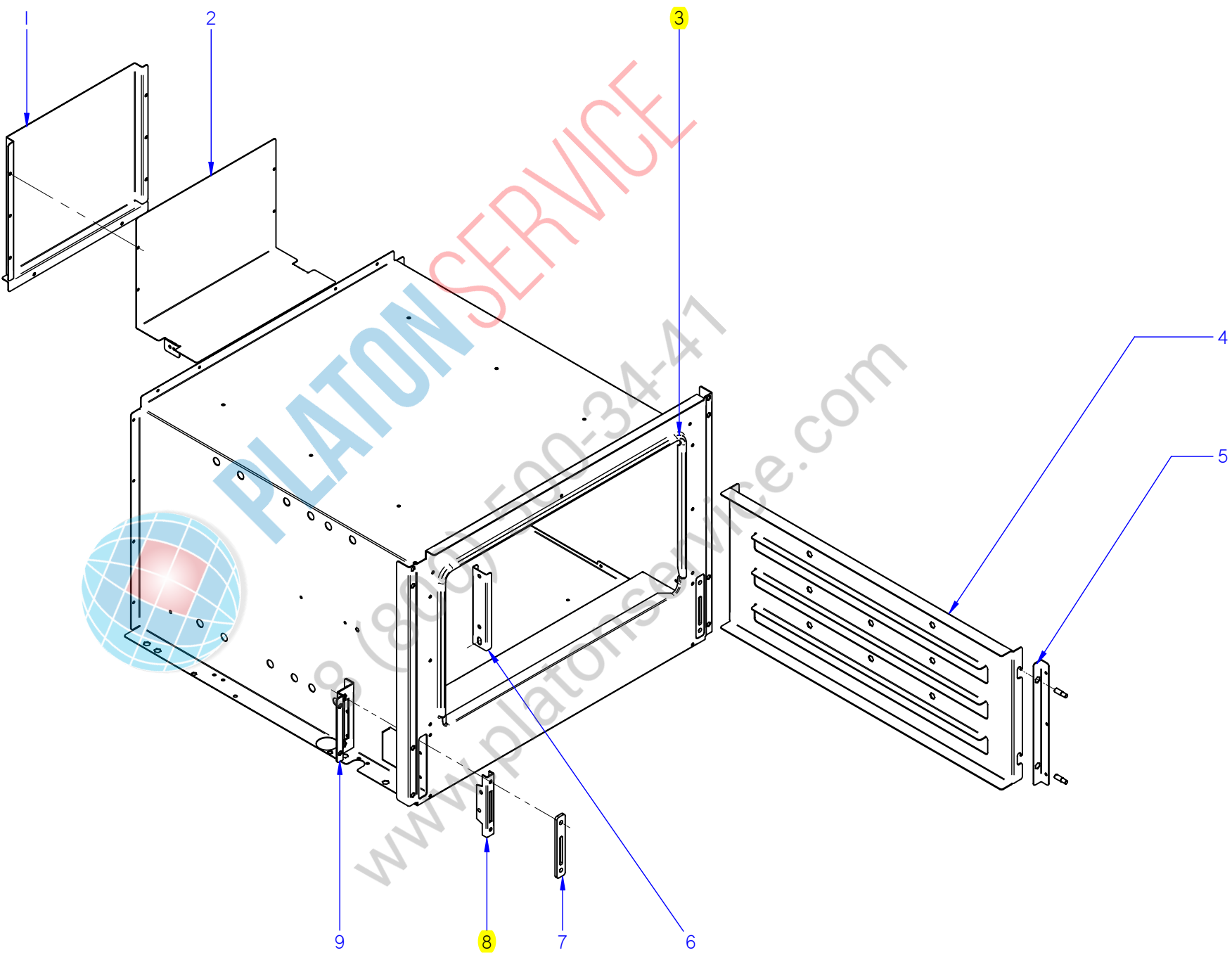
Aparato  
COCINA CE9-41

HORNO

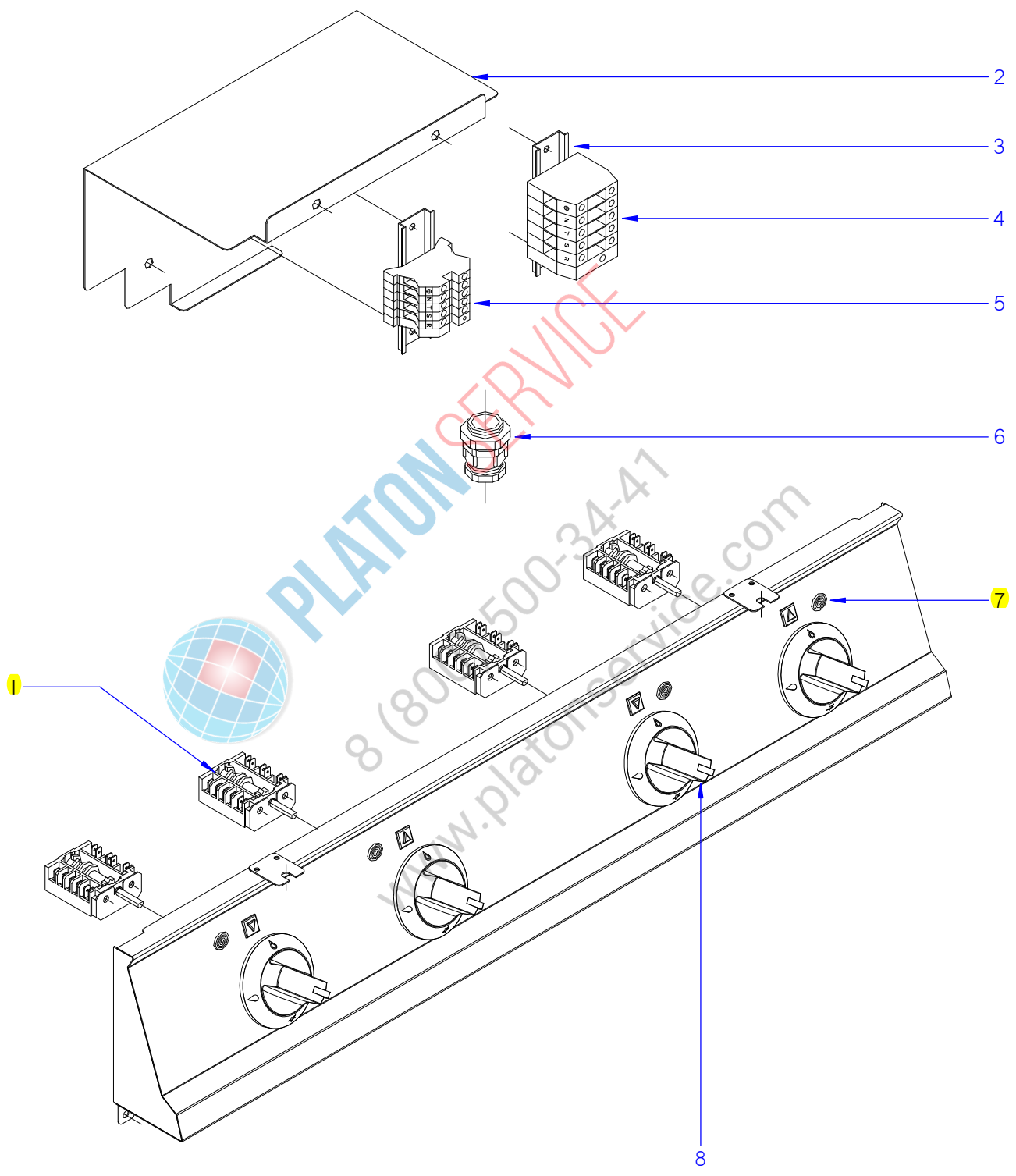
Lamina  
3

Fagor Industrial S. Coop.  
Omate  
**FAGOR**

ITEM MARCADO EN COLOR = REPUESTO RECOMENDADO  
COLOURED ITEM = RECOMMENDED SPARE PART



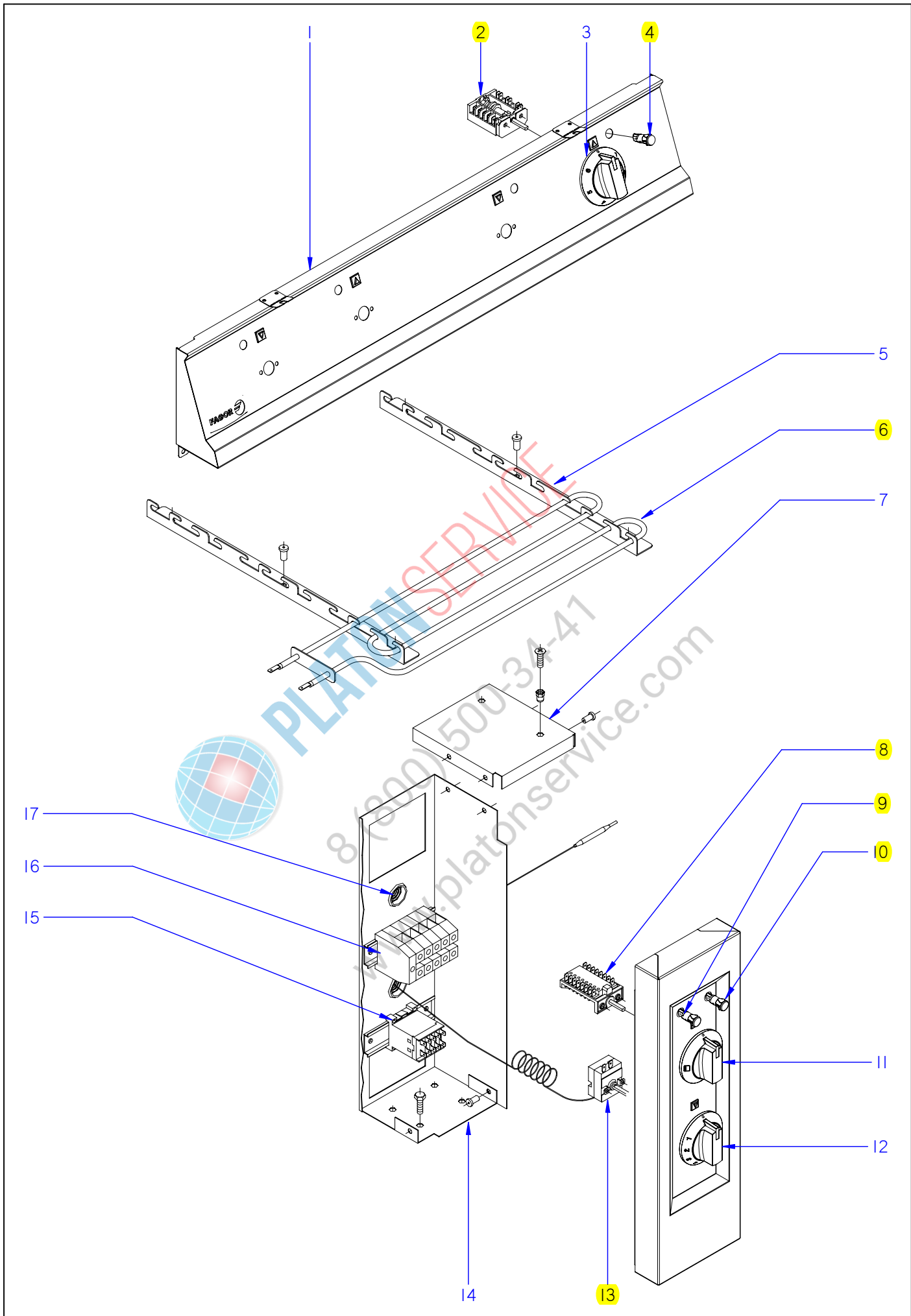
| MOD. |            | COCINAS                      |                             | ZONA   |  | HORNO / OVEN |  |  | PLANO |  | C-2357               |
|------|------------|------------------------------|-----------------------------|--------|--|--------------|--|--|-------|--|----------------------|
| ITEM | CODIGO     | DENOMINACION                 | TEXTO                       | CE9-41 |  |              |  |  |       |  | NOTAS                |
| 1    | U675614000 | POSTERIOR CHIMENEA CGE9-41   | REAR FLUEPIPE CGE9-41       | 1      |  |              |  |  |       |  |                      |
|      | Q419005000 | REMACHE 4x8 ALMG3 / ALUMINIO | RIVET 4X8 ALMG3 / ALUMINIUM | 16     |  |              |  |  |       |  |                      |
| 2    | U675615000 | ANTERIOR DE CHIMENEA CGE9-41 | FRONT FLUEPIPE CGE9-41      | 1      |  |              |  |  |       |  |                      |
| 3    | U025623000 | JUNTA PUERTA HORNO INOX.     | OVEN DOOR SEAL INOX.        | 1      |  |              |  |  |       |  | ELIMINADO 03.01.11   |
| 3    | U965613000 | JUNTA HORNO FIBRA DE VIDRIO  | FURNACE FIBERGLASS BOARD    | 1      |  |              |  |  |       |  | INTRODUCIDO 03.01.11 |
| 4    | U915607000 | GUIA LATERAL HORNO G700      | OVEN SIDE GUIDE G700        | 2      |  |              |  |  |       |  |                      |
|      | Q151336000 | TORNILLO SOPORTE GUIAS       | GUIDE SUPPORT BOLT          | 4      |  |              |  |  |       |  |                      |
|      | Q302022000 | ARANDELA 16X6X1.2 A.304      | WASHER 16X6X1.2 A.304       | 4      |  |              |  |  |       |  |                      |
|      | Q221321000 | REMACHE ROSCAD.NUTSERT.M6    | THREADED RIVET .NUTSERT.M6  | 4      |  |              |  |  |       |  |                      |
| 5    | U915616000 | SUPLEMENTO AMARRE GUIA LAT.  | SIDE GUIDE FAST. SUPPL.     | 2      |  |              |  |  |       |  |                      |
|      | Q412000000 | REMACHE TUBULAR 4x8          | TUBULAR RIVET 4x8           | 6      |  |              |  |  |       |  |                      |
| 6    | U055644000 | FIJACION BULBO               | FASTENING BULB              | 1      |  |              |  |  |       |  |                      |
|      | Q412000000 | REMACHE TUBULAR 4x8          | TUBULAR RIVET 4x8           | 2      |  |              |  |  |       |  |                      |
| 7    | U915619000 | EMBELLECED GUIA BISAGRA      | HINGE GUIDE TRIM            | 2      |  |              |  |  |       |  |                      |
|      | Q152045000 | TORNILLO AMARRE M6X25        | FASTENING BOLT M6X25        | 4      |  |              |  |  |       |  |                      |
| 8    | U010512000 | GUIA DE BISAGRA              | HINGE GUIDE                 | 2      |  |              |  |  |       |  | ELIMINADO 12.12.11   |
| 8    | 12041846   | GUIA BISAGRA G700 Y G900     | HINGE GUIDE G700 Y G900     | 2      |  |              |  |  |       |  | INTRODUCIDO 12.12.11 |
| 9    | U915604000 | AMARRE GUIA BISAGRA HORNO    | OVEN HINGE GUIDE FASTENING  | 2      |  |              |  |  |       |  |                      |
|      | Q221342000 | REMACHE EXAGONAL M5          | HEXAGONAL RIVET M5          | 2      |  |              |  |  |       |  |                      |
|      | Q412000000 | REMACHE TUBULAR 4x8          | TUBULAR RIVET 4x8           | 6      |  |              |  |  |       |  |                      |
|      | Q222042000 | REMACHE EXAGONAL ROSCA M6    | HEXAGONAL RIVET THREAD M6   | 4      |  |              |  |  |       |  |                      |
|      |            |                              |                             |        |  |              |  |  |       |  |                      |
|      |            |                              |                             |        |  |              |  |  |       |  |                      |
|      |            |                              |                             |        |  |              |  |  |       |  |                      |
|      |            |                              |                             |        |  |              |  |  |       |  |                      |
|      |            |                              |                             |        |  |              |  |  |       |  |                      |
|      |            |                              |                             |        |  |              |  |  |       |  |                      |
|      |            |                              |                             |        |  |              |  |  |       |  |                      |
|      |            |                              |                             |        |  |              |  |  |       |  |                      |
|      |            |                              |                             |        |  |              |  |  |       |  |                      |
|      |            |                              |                             |        |  |              |  |  |       |  |                      |
|      |            |                              |                             |        |  |              |  |  |       |  |                      |



ITEM MARCADO EN COLOR = REPUESTO RECOMENDADO  
 COLOURED ITEM = RECOMMENDED SPARE PART

|         |         |         |         |                 |        |                                       |
|---------|---------|---------|---------|-----------------|--------|---------------------------------------|
| N plano | Firma   | Fecha   | Aparato | PARTE FUNCIONAL | Lamina | Fagor Industrial S.Coop. <b>FAGOR</b> |
| C-1761  | Iban R. | 2014-10 |         | COCINA CE9-40   | 5      | Oñate                                 |

| MOD. |            | COCINAS                       |                              | ZONA   | PARTE FUNCIONAL ELECTRICA |  |  |  | PLANO | C-1761               |
|------|------------|-------------------------------|------------------------------|--------|---------------------------|--|--|--|-------|----------------------|
| ITEM | CODIGO     | DENOMINACION                  | TEXTO                        | CE9-20 | CE9-40                    |  |  |  |       | NOTAS                |
| 1    | U673007000 | CONMUTADOR EGO                | SWITCH EGO                   | 2      | 4                         |  |  |  |       |                      |
|      | Q151320000 | TORNILLO ALOMADO M4x6 H.ZINC. | CURVED SCREW M4X6 H. ZINC    | 4      | 8                         |  |  |  |       |                      |
| 2    | U802602000 | CHAPA PROTEC.CONMUTADORAS     | SWITCH PROTECTION PLATE      | 1      | 2                         |  |  |  |       |                      |
|      | Q152004000 | TORNIL, APLASTADO M5x13 A304  | FLAT HEADED BOLT M5x13       | 4      | 4                         |  |  |  |       |                      |
|      | Q221341000 | REMACHE EXAGONAL M 4          | HEXAGONAL RIVET M4           | 1      | 1                         |  |  |  |       |                      |
| 3    | R663055000 | GUIA CONTACTOR L-120          | CONTACTOR GUIDE L-120        | 1      | 1                         |  |  |  |       |                      |
|      | Q419005000 | REMACHE 4x8 ALMG3 / ALUMINIO  | RIVET 4X8 ALMG3 / ALUMINIUM  | 2      | 4                         |  |  |  |       |                      |
| 4    | R263003000 | BORNA PASO 35 MM.             | TAP TERMINAL 35 MM           | -      | 3                         |  |  |  |       |                      |
|      | R673010000 | BORNA PASO AZUL 35 MM.        | BLUE TAP TERMINAL 35 MM      | -      | 1                         |  |  |  |       |                      |
|      | Z103035000 | BORNA TIERRA 35 MM.           | TERMINAL TIER 35 MM.         | -      | 1                         |  |  |  |       |                      |
|      | Z683096000 | TOPE FINAL WEW35 10590.0      | END STOP WEW35 10590.0       | -      | 1                         |  |  |  |       |                      |
|      | Z683068000 | SEÑALIZ.DEK-6 WEIDMULLER      | SIGNAL.DEK-6 WEIDMULLER      | -      | 1                         |  |  |  |       |                      |
| 5    | P453025000 | BORNES 10 WDU-10203.0         | TERMINAL 10 WDU-10203.0      | 3      | -                         |  |  |  |       |                      |
|      | Z263302000 | BORNA PASO AZUL               | BLUE TAP TERMINAL            | 1      | -                         |  |  |  |       |                      |
|      | P453026000 | BORNA TIERRA 10 WPE-10103.3   | TERMINAL TIER 10 WPE-10103.3 | 1      | -                         |  |  |  |       |                      |
|      | Z263303000 | TOPE FINAL                    | END STOP                     | 1      | -                         |  |  |  |       |                      |
|      | Z683068000 | SEÑALIZ.DEK-6 WEIDMULLER      | SIGNAL.DEK-6 WEIDMULLER      | 1      | -                         |  |  |  |       |                      |
| 6    | R023013000 | PRENSA ESTOPAS                | STUFFING BOX                 | 1      | 1                         |  |  |  |       |                      |
|      | R023025000 | CONTRATUERCA (GAES)           | COUNTERNUT (GAES)            | 1      | 1                         |  |  |  |       |                      |
|      | R023026000 | JUNTA DE GOMA (GAES)          | RUBBER SEAL (GAES)           | 1      | 1                         |  |  |  |       |                      |
| 7    | R693056000 | PILOTO AMBAR                  | PILOTO AMBAR                 | 2      | 4                         |  |  |  |       | ELIMINADO 01.02.13   |
| 7    | 12024669   | PILOTO AMBAR Ø18              | AMBER PILOT Ø18              | 2      | 4                         |  |  |  |       | INTRODUCIDO 01.02.13 |
| 8    | U173007000 | BOTON DE MANDO Ø 6            | CONTROL Ø6                   | 2      | 4                         |  |  |  |       |                      |
|      |            |                               |                              |        |                           |  |  |  |       |                      |
|      |            |                               |                              |        |                           |  |  |  |       |                      |
|      |            |                               |                              |        |                           |  |  |  |       |                      |
|      |            |                               |                              |        |                           |  |  |  |       |                      |
|      |            |                               |                              |        |                           |  |  |  |       |                      |
|      |            |                               |                              |        |                           |  |  |  |       |                      |
|      |            |                               |                              |        |                           |  |  |  |       |                      |



ITEM MARCADO EN COLOR = REPUESTO RECOMENDADO  
 COLOURED ITEM = RECOMMENDED SPARE PART

|         |                    |         |               |                              |        |                                       |
|---------|--------------------|---------|---------------|------------------------------|--------|---------------------------------------|
| N plano | Firma              | Fecha   | Aparato       | CONJUNTO FUNCIONAL ELECTRICO | Lamina | Fagor Industrial S.Coop. <b>FAGOR</b> |
| C-2358  | <i>[Signature]</i> | 2009-06 | COCINA CE9-41 |                              | 5      | Oñate                                 |

| MOD. | COCINAS    |                               | ZONA                         | CONJUNTO FUNCIONAL ELECTRICO |  |  |  | PLANO | C-2358               |
|------|------------|-------------------------------|------------------------------|------------------------------|--|--|--|-------|----------------------|
| ITEM | CODIGO     | DENOMINACION                  | TEXTO                        | CE9-41                       |  |  |  |       | NOTAS                |
| 1    | U172810000 | PORTAMANDOS COMPL. CE9-41     | CONTROL HOLDER CE9-41        | 1                            |  |  |  |       |                      |
| 2    | U673007000 | CONMUTADOR EGO                | SWITCH EGO                   | 4                            |  |  |  |       |                      |
|      | Q151320000 | TORNILLO ALOMADO M4x6 H.ZINC. | CURVED SCREW M4X6 H. ZINC    | 8                            |  |  |  |       |                      |
| 3    | U173007000 | MANDO MONTADO CE Ø6           | CONTROL CE Ø6                | 4                            |  |  |  |       |                      |
| 4    | R693056000 | PILOTO AMBAR                  | AMBER PILOT                  | 4                            |  |  |  |       | ELIMINADO 01.02.13   |
| 4    | 12024669   | PILOTO AMBAR Ø18              | AMBER PILOT Ø18              | 4                            |  |  |  |       | INTRODUCIDO 01.02.13 |
| 5    | U805613000 | ESCUADRA SOPOR. RESISTENCIAS  | SUPP. BRACKET RESISTORS      | 4                            |  |  |  |       |                      |
| 6    | U803004000 | RESISTENCIA 1000W/230V        | RESISTOR 1000W -230V         | 6                            |  |  |  |       |                      |
| 7    | U673051000 | TAPA DE CUADRO ELECTRICO      | ELECTRIC PANEL COVER         | 1                            |  |  |  |       |                      |
|      | Q419005000 | REMACHE 4x8 ALMG3 / ALUMINIO  | RIVET 4X8 ALMG3 / ALUMINIUM  | 6                            |  |  |  |       |                      |
|      | Q221342000 | REMACHE EXAGONAL M5           | HEXAGONAL RIVET M5           | 2                            |  |  |  |       |                      |
|      | Q012032000 | TORNILLO EXAGONAL M5x15 A304  | HEXAGONAL BOLT M5x15         | 4                            |  |  |  |       |                      |
| 8    | U673006000 | CONMUTADOR                    | SWITCH                       | 1                            |  |  |  |       |                      |
|      | Q151320000 | TORNILLO ALOMADO M4x6 H.ZINC. | CURVED SCREW M4X6 H. ZINC    | 2                            |  |  |  |       |                      |
| 9    | R693055000 | PILOTO VERDE                  | GREEN PILOT                  | 1                            |  |  |  |       | ELIMINADO 01.02.13   |
| 9    | 12047390   | PILOTO VERDE 230V AC 8KW 16MM | GREEN PILOT 230V AC 8KW 16MM | 1                            |  |  |  |       | INTRODUCIDO 01.02.13 |
| 10   | R693056000 | PILOTO AMBAR                  | AMBER PILOT                  | 1                            |  |  |  |       | ELIMINADO 01.02.13   |
| 10   | 12024669   | PILOTO AMBAR Ø18              | AMBER PILOT Ø18              | 1                            |  |  |  |       | INTRODUCIDO 01.02.13 |
| 11   | U173006000 | MANDO MONTADO CE Ø6           | CONTROL CE Ø6                | 1                            |  |  |  |       |                      |
| 12   | U173005000 | MANDO CE Ø6 TERMOSTATO        | CONTROL Ø6 THERMOSTAT        | 1                            |  |  |  |       |                      |
| 13   | X153000000 | TERMOSTATO 50-310° C          | THERMOSTAT 50-310 C          | 1                            |  |  |  |       |                      |
|      | Q151320000 | TORNILLO ALOMADO M4x6 H.ZINC. | CURVED SCREW M4X6 H. ZINC    | 2                            |  |  |  |       |                      |
| 14   | U673050000 | CUADRO ELECTRICO              | ELECTRICAL PANEL             | 1                            |  |  |  |       |                      |
| 15   | Z213007000 | CONTACTOR 3TF2010-3AL2        | CONTACTOR 3TF2010-3AL2       | 1                            |  |  |  |       |                      |
|      | R663055000 | GUIA CONTACTOR L-120          | CONTACTOR GUIDE L-120        | 1                            |  |  |  |       |                      |
|      | Q419005000 | REMACHE 4x8 ALMG3 / ALUMINIO  | RIVET 4X8 ALMG3 / ALUMINIUM  | 4                            |  |  |  |       |                      |
| 16   | R263003000 | BORNA PASO 35 MM.             | TAP TERMINAL 35 MM           | 3                            |  |  |  |       |                      |
|      | R673010000 | BORNA PASO AZUL 35 MM.        | BLUE TAP TERMINAL 35 MM      | 1                            |  |  |  |       |                      |
|      | Z103035000 | BORNA TIERRA 35 MM.           | TERMINAL TIER 35 MM.         | 1                            |  |  |  |       |                      |
|      | Z683069000 | TOPE FINAL WEW35 10590.0      | END STOP WEW35 10590.0       | 1                            |  |  |  |       |                      |
| 17   | X723014000 | PASAMUROS AMETRO 30           | BUSHING AMETRO 30            | 2                            |  |  |  |       |                      |

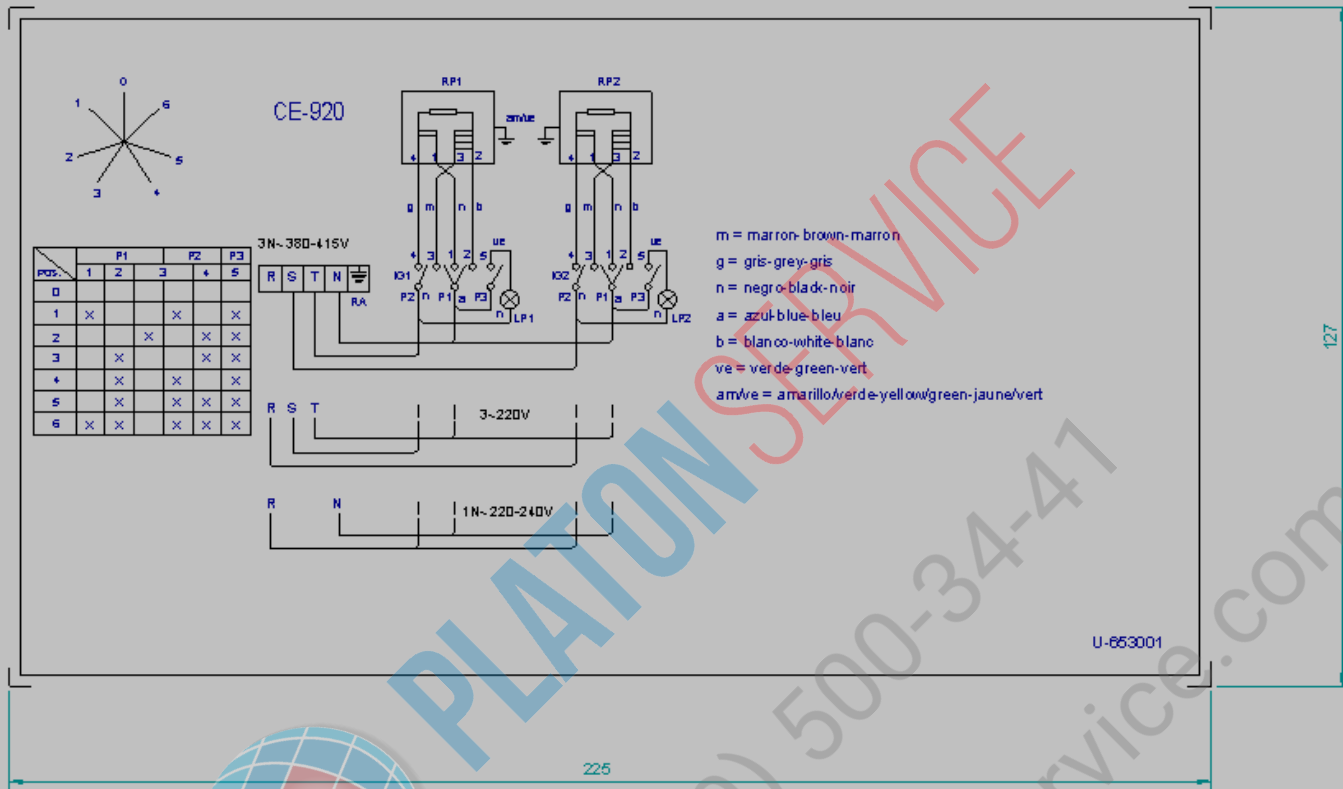
| MOD. |            | COCINAS                     |                          | ZONA   | VARIOS / MISCELLANEOUS |        |  |  | PLANO |                      |
|------|------------|-----------------------------|--------------------------|--------|------------------------|--------|--|--|-------|----------------------|
| ITEM | CODIGO     | DENOMINACION                | TEXTO                    | CE9-20 | CE9-40                 | CE9-41 |  |  |       | NOTAS                |
|      | U176501000 | FOLLETO DE INSTRUCCIONES CE | INSTRUCTION LEAFLET CE   | 1      | 1                      | 1      |  |  |       |                      |
|      |            |                             |                          |        |                        |        |  |  |       |                      |
|      |            |                             |                          |        |                        |        |  |  |       |                      |
|      | U653001000 | ESQUEMA TEORICO ADHESIVO    | THEOR. DIAGRAM LABEL     | 1      | -                      | -      |  |  |       | PLANO HC-72730       |
|      | U663000000 | ESQUEMA TEORICO ADHESIVO    | THEOR. DIAGRAM LABEL     | -      | 1                      | -      |  |  |       | PLANO HC-72734       |
|      | U673001000 | ESQUEMA TEORICO ADHESIVO    | THEOR. DIAGRAM LABEL     | -      | -                      | 1      |  |  |       | PLANO HC-71190       |
|      |            |                             |                          |        |                        |        |  |  |       |                      |
|      | U653003000 | CABLEADO PORTAMANDOS MESA   | BENCH CTRL HOLDER WIRING | 1      | -                      | -      |  |  |       |                      |
|      | U673052000 | CABLEADO PORTAMANDOS MESA   | BENCH CTRL HOLDER WIRING | -      | 1                      | 1      |  |  |       |                      |
|      | U673014000 | CABLEADO A PLACAS           | WIRING TO PLATES         | 2      | 4                      | 4      |  |  |       |                      |
|      | U673008000 | CABLEADO HORNO              | OVEN WIRING              | -      | -                      | 1      |  |  |       |                      |
|      | 12046142   | CABLE. TENSOR PORTAMANDOS   | WIRING TENSOR PORTAMAND. | 1      | 1                      | 1      |  |  |       | INTRODUCIDO 13,02,12 |
|      |            |                             |                          |        |                        |        |  |  |       |                      |
|      |            |                             |                          |        |                        |        |  |  |       |                      |
|      |            |                             |                          |        |                        |        |  |  |       |                      |
|      |            |                             |                          |        |                        |        |  |  |       |                      |
|      |            |                             |                          |        |                        |        |  |  |       |                      |
|      |            |                             |                          |        |                        |        |  |  |       |                      |
|      |            |                             |                          |        |                        |        |  |  |       |                      |
|      |            |                             |                          |        |                        |        |  |  |       |                      |
|      |            |                             |                          |        |                        |        |  |  |       |                      |
|      |            |                             |                          |        |                        |        |  |  |       |                      |
|      |            |                             |                          |        |                        |        |  |  |       |                      |
|      |            |                             |                          |        |                        |        |  |  |       |                      |
|      |            |                             |                          |        |                        |        |  |  |       |                      |



| MOD.                        | COCINAS    |                        | ZONA               | PIEZAS ESPECIFICAS PARA LOS DISTINTOS<br>VOLTAJES |        |        | PLANO |                      |
|-----------------------------|------------|------------------------|--------------------|---|--------|--------|-------|----------------------|
| ITEM                        | CODIGO     | DENOMINACION           | TEXTO              | CE9-20  | CE9-40 | CE9-41 |       | NOTAS                |
| <b>VERSION: 220 / 240 V</b> |            |                        |                    |   |        |        |       |                      |
| 1                           | 12024805   | PLACA 3000W 230V       | PLATE 3000W 230V   | 1   | 3      | 3      |       |                      |
| 1                           | 12024806   | PLACA 4000W 230V       | PLATE 4000W 230V   | 1   | 1      | 1      |       |                      |
| <b>VERSION: 380 / 415 V</b> |            |                        |                    |   |        |        |       |                      |
| 1                           | 12024805   | PLACA 3000W 230V       | PLATE 3000W 230V   | 1   | 3      | 3      |       | ELIMINADO 13/10/14   |
| 1                           | 12024803   | PLACA 3000W 400V       | PLATE 3000W 400V   | 1   | 3      | 3      |       | INTRODUCIDO 13/10/14 |
| 1                           | 12024806   | PLACA 4000W 230V       | PLATE 4000W 230V   | 1   | 1      | 1      |       | ELIMINADO 13/10/14   |
| 1                           | 12024802   | PLACA 4000W 400V       | PLATE 4000W 400V   | 1   | 1      | 1      |       | INTRODUCIDO 13/10/14 |
| <b>VERSION: 440 V 3</b>     |            |                        |                    |   |        |        |       |                      |
| 1                           | 12024803   | PLACA 3000W 400V       | PLATE 3000W 400V   | 1   | 3      | 3      |       |                      |
| 1                           | 12024802   | PLACA 4000W 400V       | PLATE 4000W 400V   | 1   | 1      | 1      |       |                      |
| S/N                         | U803072000 | RESISTENCIA 150K, 1/4W | RESISTOR 150K 1/4W | 2   | 4      | 6      |       | PARA PILOTOS         |
| S/N                         | U803073000 | RESISTENCIA 8K2, 6W    | RESISTOR 8K2, 6W   | -   | -      | 1      |       | PARA CONTACTOR HORNO |

| MOD. |            | FREIDORAS                     |                             | ZONA   |        | REPUESTOS RECOMENDADOS<br>RECOMMENDED SPARE PART |  |  |  | PLANO |        |
|------|------------|-------------------------------|-----------------------------|--------|--------|--|--|--|--|-------|--------|
| ITEM | CODIGO     | DENOMINACION                  | TEXTO                       | CE9-20 | CE9-40 | CE9-41   |  |  |  |       |        |
| 3    | 12024805   | PLACA 3000W 230V              | PLATE 3000W 230V            | 1      | 3      |  |  |  |  |       | C-1757 |
| 3    | 12024803   | PLACA 3000W 400V SIN NEUTRO   | PLATE 3000W 400V S/N        | 1      | 3      |  |  |  |  |       | C-1757 |
| 5    | 12024806   | PLACA 4000W 230V              | PLATE 4000W 230V            | 1      | 1      |  |  |  |  |       | C-1757 |
| 5    | 12024802   | PLACA 4000W 400V SIN NEUTRO   | PLATE 4000W 400V S/N        | 1      | 1      |  |  |  |  |       | C-1757 |
| 3    | 12024806   | PLACA 4000W 230V              | PLATE 4000W 230V            |        |        | 1  |  |  |  |       | C-2356 |
| 3    | 12024802   | PLACA 4000W 400V SIN NEUTRO   | PLATE 4000W 400V S/N        |        |        | 1  |  |  |  |       | C-2356 |
| 7    | 12024805   | PLACA 3000W 230V              | PLATE 3000W 230V            |        |        | 3  |  |  |  |       | C-2356 |
| 7    | 12024803   | PLACA 3000W 400V SIN NEUTRO   | PLATE 3000W 400V S/N        |        |        | 3  |  |  |  |       | C-2356 |
| 14   | U020528000 | BISAGRA CIERRE HORNO          | OVEN LOCK HINGE             |        |        | 2  |  |  |  |       | C-2356 |
| 3    | U965613000 | JUNTA HORNO FIBRA DE VIDRIO   | FURNACE FIBERGLASS BOARD    |        |        | 1  |  |  |  |       | C-2357 |
| 8    | 12041846   | GUIA BISAGRA G700 Y G900      | HINGE GUIDE G700 Y G900     |        |        | 2  |  |  |  |       | C-2357 |
| 1    | 12024805   | PLACA 3000W 230V              | PLATE 3000W 230V            | 1      | 3      |  |  |  |  |       | C-1761 |
| 1    | 12024803   | PLACA 3000W 400V SIN NEUTRO   | PLATE 3000W 400V S/N        | 1      | 3      |  |  |  |  |       | C-1761 |
| 1    | 12024806   | PLACA 4000W 230V              | PLATE 4000W 230V            | 1      | 1      |  |  |  |  |       | C-1761 |
| 1    | 12024802   | PLACA 4000W 400V SIN NEUTRO   | PLATE 4000W 400V S/N        | 1      | 1      |  |  |  |  |       | C-1761 |
| 7    | 12024669   | PILOTO AMBAR Ø18              | AMBER PILOT Ø18             | 2      | 4      |  |  |  |  |       | C-1761 |
| 9    | U673007000 | CONMUTADOR EGO                | SWITCH EGO                  | 2      | 4      |  |  |  |  |       | C-1761 |
| 2    | U673007000 | CONMUTADOR EGO                | SWITCH EGO                  |        |        | 4  |  |  |  |       | C-2358 |
|      | Q151320000 | TORNILLO ALOMADO M4x6 H.ZINC. | CURVED SCREW M4X6 H. ZINC   |        |        | 8  |  |  |  |       | C-2358 |
| 3    | U173007000 | MANDO MONTADO CE Ø6           | CONTROL CE Ø6               |        |        | 4  |  |  |  |       | C-2358 |
| 4    | R693056000 | PILOTO AMBAR                  | AMBER PILOT                 |        |        | 4  |  |  |  |       | C-2358 |
| 4    | 12024669   | PILOTO AMBAR Ø18              | AMBER PILOT Ø18             |        |        | 4  |  |  |  |       | C-2358 |
| 5    | U805613000 | ESCUADRA SOPOR. RESISTENCIAS  | SUPP. BRACKET RESISTORS     |        |        | 4  |  |  |  |       | C-2358 |
| 6    | U803004000 | RESISTENCIA 1000W/230V        | RESISTOR 1000W -230V        |        |        | 6  |  |  |  |       | C-2358 |
| 7    | U673051000 | TAPA DE CUADRO ELECTRICO      | ELECTRIC PANEL COVER        |        |        | 1  |  |  |  |       | C-2358 |
|      | Q419005000 | REMACHE 4x8 ALMG3 / ALUMINIO  | RIVET 4X8 ALMG3 / ALUMINIUM |        |        | 6  |  |  |  |       | C-2358 |
|      | Q221342000 | REMACHE EXAGONAL M5           | HEXAGONAL RIVET M5          |        |        | 2  |  |  |  |       | C-2358 |
|      | Q012032000 | TORNILLO EXAGONAL M5x15 A304  | HEXAGONAL BOLT M5x15        |        |        | 4  |  |  |  |       | C-2358 |
| 8    | U673006000 | CONMUTADOR                    | SWITCH                      |        |        | 1  |  |  |  |       | C-2358 |
|      | Q151320000 | TORNILLO ALOMADO M4x6 H.ZINC. | CURVED SCREW M4X6 H. ZINC   |        |        | 2  |  |  |  |       | C-2358 |





**NOTA**

- Las inscripciones resistirán sin modificación apreciable el frotamiento durante 15 seg. de un algodón impregnado en gasolina.

RA: Regleta de Alimentación

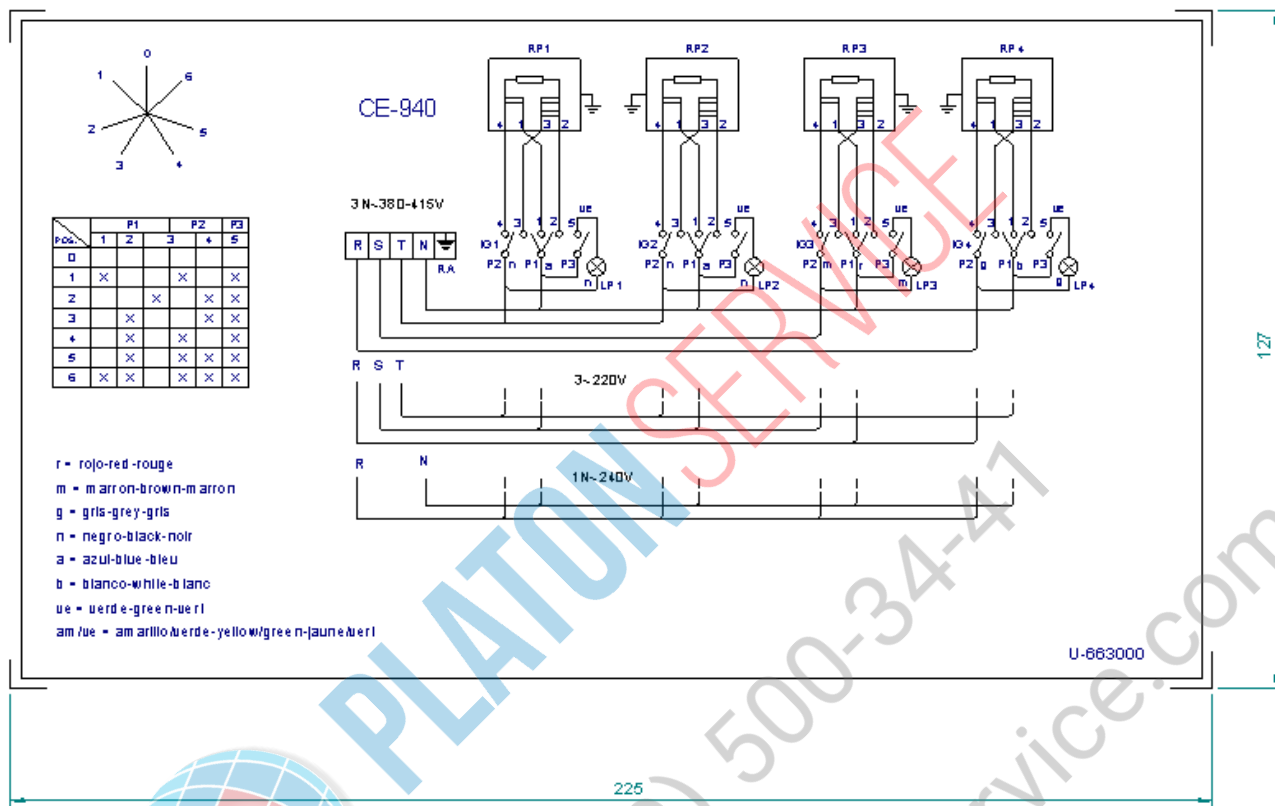
IG1, IG2: Conmutadores de placas eléctricas

RP1, RP2: Placas eléctricas

LP1, LP2: Lámpara Calentamiento de Placas

Plastico blanco alto brillo

|                 |            |                                      |          |
|-----------------|------------|--------------------------------------|----------|
| Esquema teorico |            | U-653001                             |          |
| Nº              | Pieza      | Carit.                               | Material |
| Nº              | Modificaci | Propuesta de                         |          |
|                 |            | Fecha                                |          |
|                 |            | Toleancias generales                 |          |
|                 |            | <3±                                  | 50-100±  |
|                 |            | 5-25±                                | >100±    |
|                 |            | 25-50±                               | ∅±       |
| Firma           |            | Fecha                                |          |
| Dibujado        |            | 21-4-97                              |          |
| Proyectado      |            | FAGOR                                |          |
| Comprobado      |            | Fagor Industrial, Koop, Ek, Mirgaita |          |
| Escala          |            | Mecanizado superior                  |          |
| 1/1             |            | Plano número                         |          |
|                 |            | HC-72730                             |          |
|                 |            | Sustituye al N° HB-70038             |          |
|                 |            | Sustituido por                       |          |



**NOTA**

- Las inscripciones resistirán sin modificación apreciable el frotamiento durante 15 seg. de un algodón impregnado en gasolina.

RA: Regleta de Alimentación

IG1, IG2, IG3, IG4: Conmutadores de placas eléctricas

RP1, RP2, RP3, RP4: Placas eléctricas

LP1, LP2, LP3, LP4: Lámpara Calentamiento de Placas

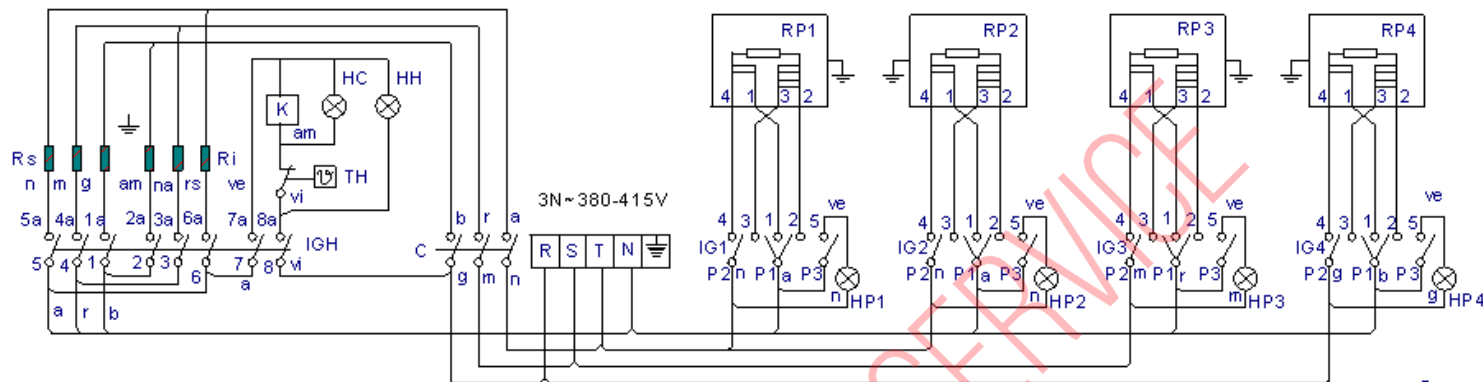
Plastico blanco alto brillo

|                 |             |                                     |          |
|-----------------|-------------|-------------------------------------|----------|
| Esquema teorico |             | U-663000                            |          |
| Nº              | Pieza       | Car.                                | Material |
| Nº              | Modificacio | Proposita de                        |          |
|                 |             | Fecha                               |          |
|                 |             | Tolerancias generales               |          |
|                 |             | <5±                                 |          |
|                 |             | 5-25±                               |          |
|                 |             | 25-50±                              |          |
|                 |             | 50-100±                             |          |
|                 |             | >100±                               |          |
|                 |             | X±                                  |          |
| Dibujado        |             | Firma                               | Fecha    |
| Proyectado      |             | P. Lazaola                          | 22-4-97  |
| Comprobado      |             | FAGOR                               |          |
| Escala          |             | Fagor Industrial, Koop. Ek., Migata |          |
| 1/1             |             | Mecanizado especial                 |          |
|                 |             | Plano número                        |          |
|                 |             | HC-72734                            |          |
|                 |             | Sistema al N°                       |          |
|                 |             | HB-70039                            |          |
|                 |             | Sistema por                         |          |

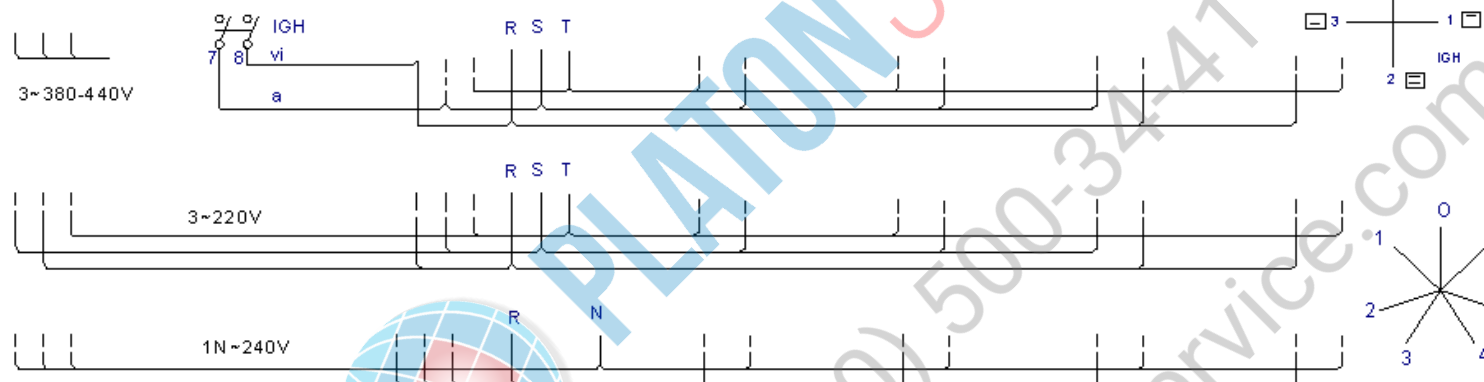
# CE 941

# CE 741

# CE 641



- r = rojo-red-rouge
- m = marron-brown-m arron
- g = gris-grey-gris
- n = negro-black-noir
- a = azul-blue-bleu
- b = blanco-white-blanc
- vi = violeta-violette-violet
- am = amarillo-yellow-jaune
- na = naranja-orange-orange
- rs = rosa-rose-pink
- ve = verde-green-vert
- am /ve = amarillo/verde- yellow w/green-jaune /vert



|   | 1_2<br>1a 2a | 3_4<br>3a 4a | 5_6<br>5a 6a | 7<br>7a | 8<br>8a |
|---|--------------|--------------|--------------|---------|---------|
| 0 |              |              |              |         |         |
| 1 | X            |              | X            | X       | X       |
| 2 | X            | X            | X            | X       | X       |
| 3 | X            | X            |              | X       | X       |

| IG POS. | 1 | 2 | 3 | 4 | 5 |
|---------|---|---|---|---|---|
| 0       |   |   |   |   |   |
| 1       | X |   | X |   | X |
| 2       |   | X |   | X | X |
| 3       | X |   | X |   | X |
| 4       | X | X |   | X | X |
| 5       | X | X | X | X | X |
| 6       | X | X | X | X | X |

- HPx: Lampara Calentamiento Placas / Heating lamp (electrical plates)
- IGx: Conmutadores de placas electricas / Main switch (electrical plates)
- IGH: Conmutador General Horno / Oven main switch
- HH: Lam para Horno Encendido / Main lamp (oven)
- HC: Lampara Calentamiento Horno / Heating lamp (oven)
- BH: Termostato de Horno / Thermostat (oven)
- TFR: Transformador / Transformer
- K: Contactor / Contactor
- Ri: Resistencia Horno Inferior / Lower resistance (oven)
- Rs: Resistencia Horno Superior / Top resistance (oven)
- RPx: Placas electricas / Electrical plates

U673001000

|                          |             |                                       |          |
|--------------------------|-------------|---------------------------------------|----------|
| Esquema teorico adhesivo |             | U-673001                              |          |
| Nº                       | Pieza       | Cart.                                 | Material |
| Nº                       | Modificacio | Propuesta de                          |          |
|                          |             | Fecha                                 |          |
|                          |             | Tole rancias generales                |          |
|                          |             | <3±                                   |          |
|                          |             | 5-25±                                 |          |
|                          |             | 25-50±                                |          |
|                          |             | 50-100±                               |          |
|                          |             | >100±                                 |          |
|                          |             | X±                                    |          |
| Dibujado                 |             | Firma                                 | Fecha    |
| Proye ctado              |             | Imp lazo                              | 31.05.05 |
| Com probado              |             | FAGOR                                 |          |
| Escrib                   |             | Fagor Industrial, Koop. Ek., Miragiba |          |
| 1/1                      |             | COCINAS                               |          |
|                          |             | Plano numero HC-71190                 |          |
|                          |             | Sustituye al N°                       |          |
|                          |             | Sustituido por                        |          |